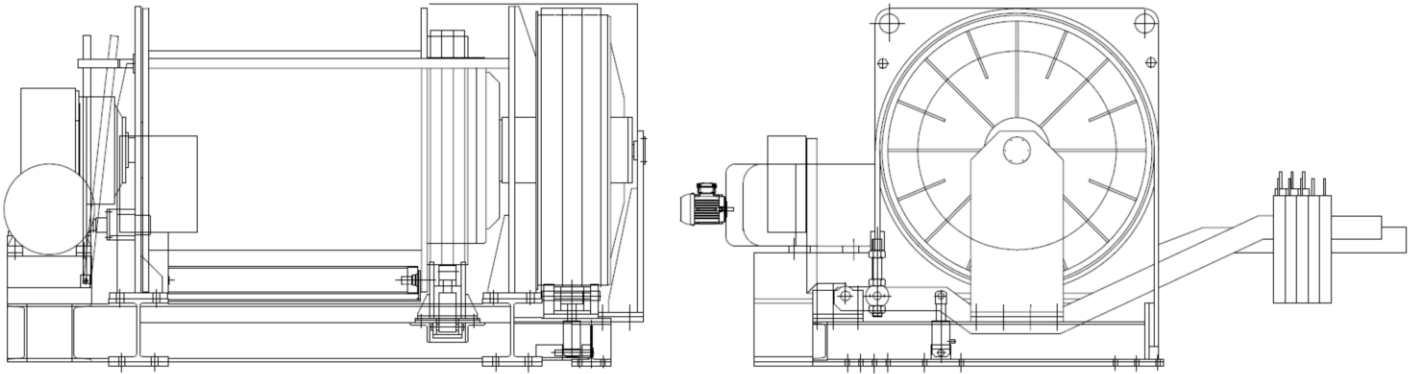


BARGE POSITIONING WINCHES - ELECTRIC/HYDRAULIC



GENERAL INFORMATION

The DYMOT range of barge or plant positioning winches have been specially designed and developed for accurate positioning of plants or barges. These winches are manufactured to operated either hydraulically or electrically and multiple winches are controlled from one main operator control desk.

The winch is designed to operate in three winching modes. This allows for optimal positioning of the plant. These three modes are:

- Reel In - The full power of the winch is used to reel in the rope thereby moving the plant in the direction in which the rope pulls it.
- Drag Out - The winch allows rope to be pulled off the drum in a controlled manner.
- Free Spool - The winch allows rope to be pulled off the drum freely even under its own weight.

NOTE: Several options available on request.

