

BUILDERS HOIST WINCHES MK1 - 500KG

GENERAL INFORMATION

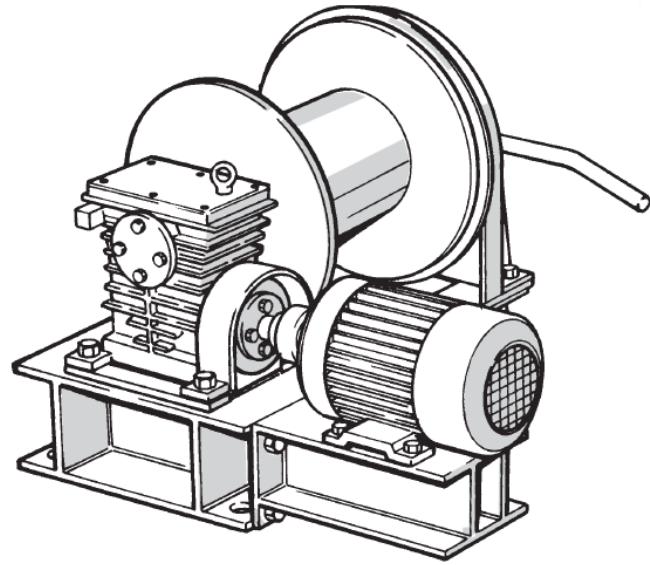
This is a free-fall winch with an automatic fail safe brake to hold the load. The brake is automatically released when the clutch is engaged to raise the load.

USES

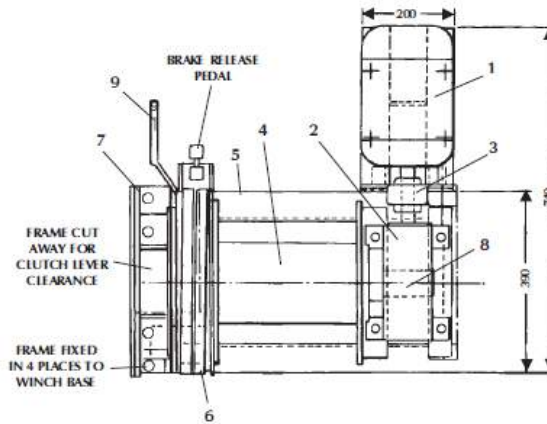
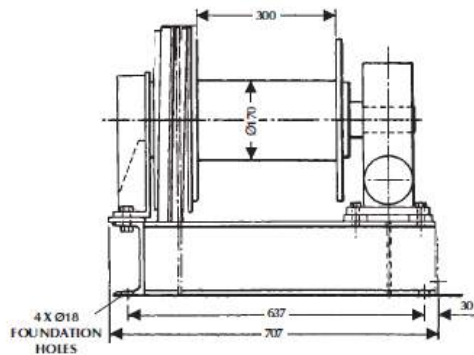
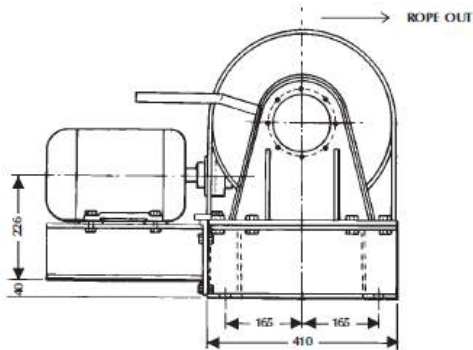
All load raising and lowering in construction industries.

FEATURES

- Safety with power.
- Choice of drive application.
- Automatic fail safe brake.



TYPE / MODEL	MOTOR	WINCH GEAR RATIO	TEST LOAD LAYER 1	SWL TOP LAYER	ROPE SPEED LAYER 1	ROPE Ø	DRUM CAPACITY	WORKING LENGTH
BWMK1	2.2kW - 4P	50	0.5 Ton	0.5 Ton	15 m/min	8 mm	200 m	200 m



NOTE: Also available in Diesel and Petrol Models