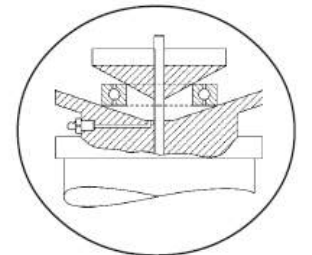
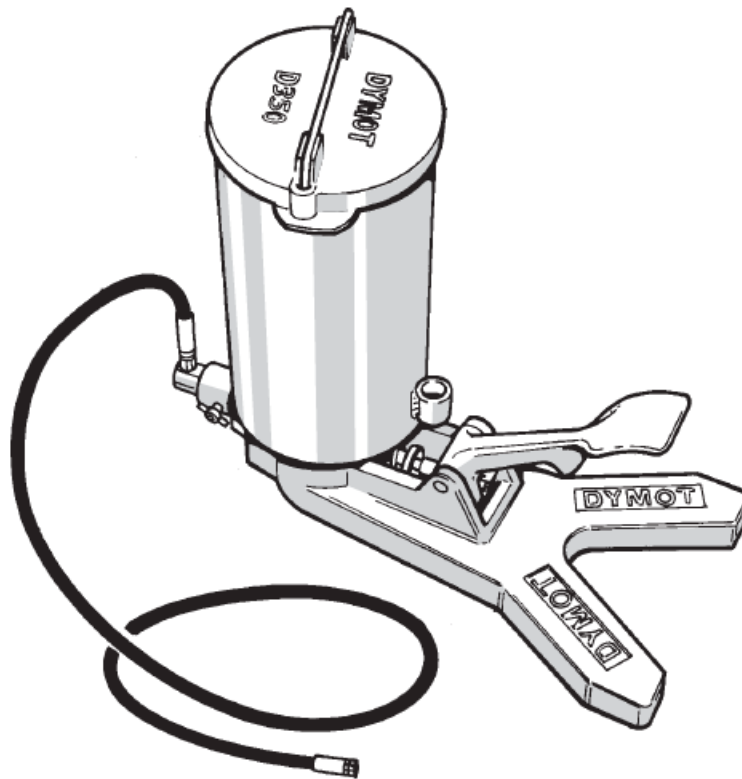


GREASE PUMPS



Bearing Lubricator

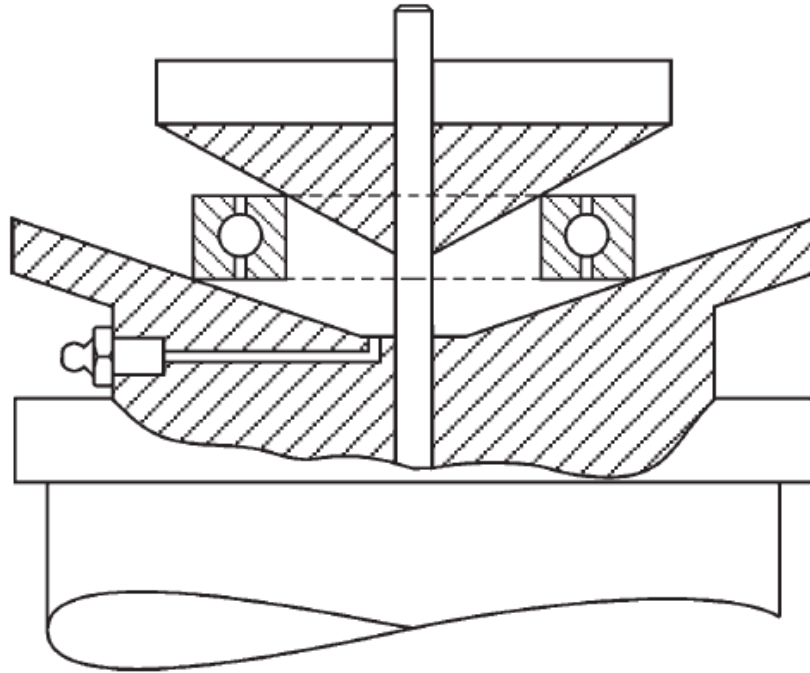
GENERAL INFORMATION

The Dymot D350 grease pump is a portable foot operated pump, cast in aluminium. Standing 400mm long x 400mm high the pump weighs 12kg dry and has a capacity of 5kg of grease. It delivers 2,5cm³ per stroke at 350 bars pressure. Both hands are always free for the lubrication application. Supplied with 2m or more of high pressure hose and required fittings.

FEATURES

- Efficient Greasing
- Reduces Costly Breakdowns & Downtime
- This Pump is Cheaper than Spare Parts
- 100% S.A. Manufacture
- Optional Extra - Bearing Lubricator

GREASE PUMPS - BEARING LUBRICATOR



- Bearing Lubricators which can be bench mounted or used as lids, are available.
- To pack a bearing with grease the male cone is removed and the bearing is placed centrally on the female cone.
- Tightening of the male cone seals the bearing in position.
- A grease nipple is provided on the side of the female cone for connecting the pump hose.
- Grease is pumped evenly through the bearing by operating the pump.