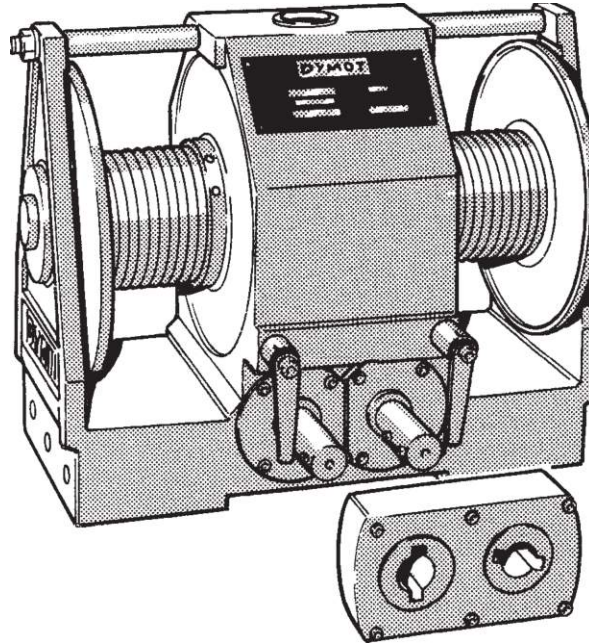


# HIGH MAST WINCHES - DD800W & S800W



## GENERAL INFORMATION

This winch has been specifically developed for servicing high mast lighting systems. It is used for lowering the lights down the mast for all servicing requirements. High factors of safety and top grade materials ensure reliability and safety for years.

The winch has a number of unique features which make it a leader, namely:

**INDEPENDENT DRIVES** for each drum which allow rope equalising at any time by simply removing the splitter gearbox from the two input shafts, doing the necessary adjustment, replacing the splitter gearbox and continuing the operation.

**SELF SUSTAINING** worm gear drives which offer maximum safety and load control.

**DOUBLE ROPES** from the independent drums give maximum safety through load sharing.

**GROOVED DRUMS** with undercut flanges facilitate even rope laying which gives best rope life and helps ensure that the ropes will share the load once they have been leveled.

**POWER TOOLS** such as construction type drilling machines can be used to raise and lower the load. A reversible drive is not required as by using the power drive on the different input shafts the direction of rotation of the drums is reversed through the splitter gearbox.

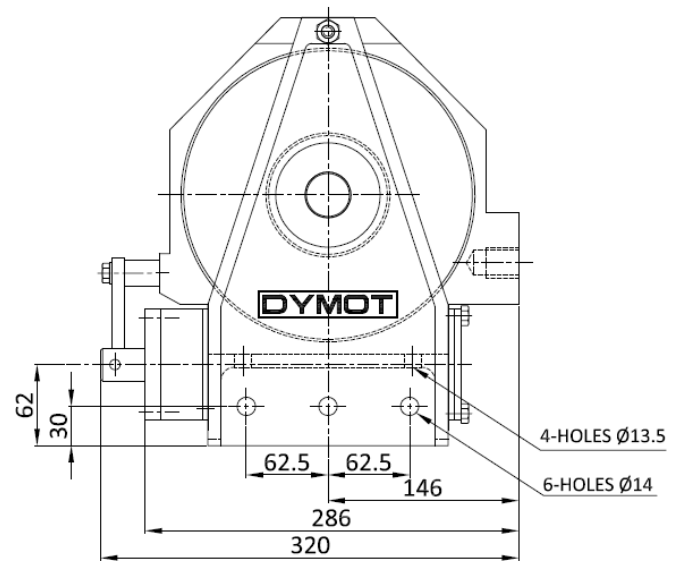
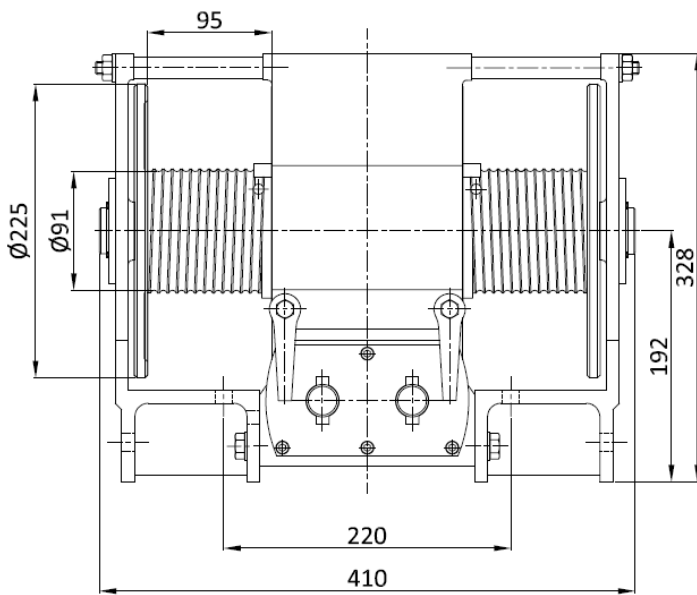
**PORTABILITY** has been achieved through extensive use of aluminium castings to keep the weight to a minimum. **GREASE FILLED** work gear housings ensure years of maintenance free duty.

**TEST CERTIFICATES** are issued on all Dymot Winches in accordance with our program to build winches to BS 3701.

# HIGH MAST WINCHES - DD800W & S800W

TYPE / MODEL	ITEM NR	GEAR RATIO	TEST LOAD LAYER 1	SWL TOP LAYER	ROPE Ø	DRUM CAPACITY	WORKING LENGTH	HANDLE RADIUS
DD800W	2634	50	0.8 Ton	0.8 Ton	6 mm	33 m	33 m	285
S800W	1512	50	0.7 Ton	0.7 Ton	8 mm	35 m	35 m	285

## DD800W



## S800W

