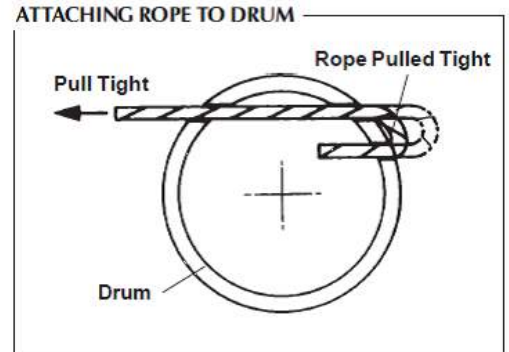
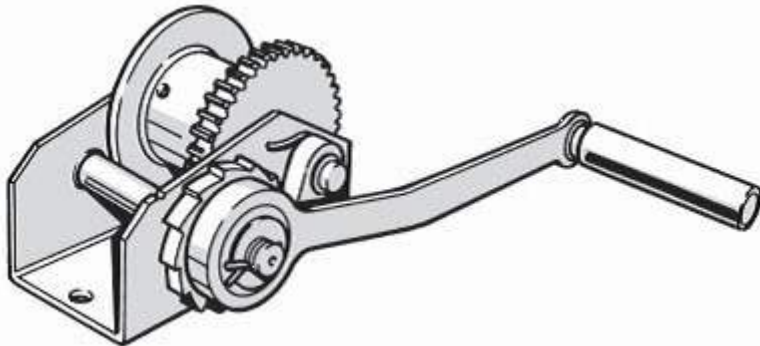


SMALL HAND WINCHES - 300S



GENERAL INFORMATION

A light small economical multi-purpose winch with an automatic brake system. No adjustments required.

OPERATION AND MAINTENANCE

Due to the automatic safety devices incorporated in the design of the range of safety winches the operation is extremely simple. Raising of the load is achieved by winding the handle in a clockwise direction and lowering by winding anti-clockwise.

WARNING

The ratchet must never be disengaged.

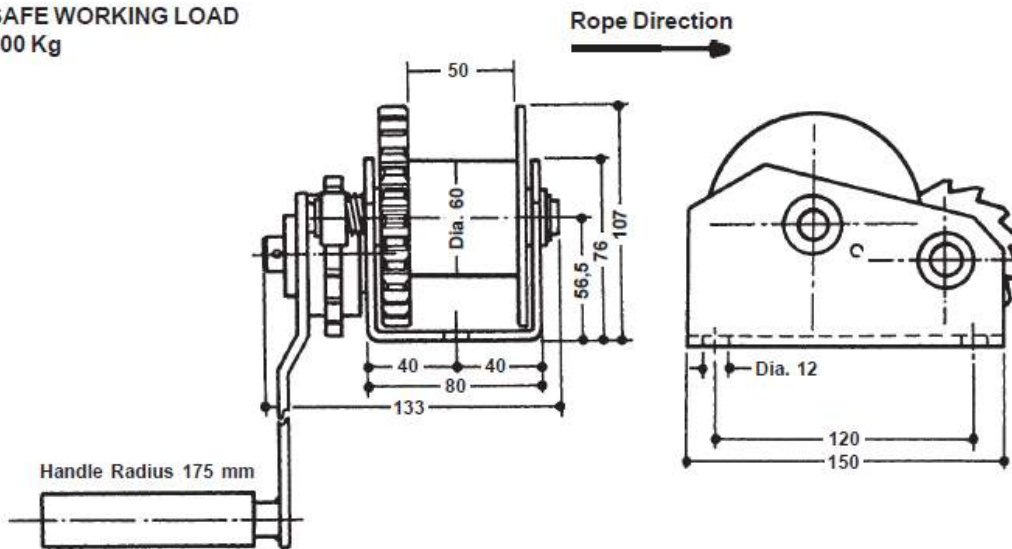
The rope must be reeled onto the drum by winding the handle in a clockwise direction, and under no circumstances must this direction be reversed.

A minimum of 4 turns of rope must always be on the drum to ensure no slipping or releasing of the rope.

The rope is threaded through the drum, doubled back into the locking hole and pulled tight.

This tight bedding locks the rope to the drum.

SAFE WORKING LOAD
200 Kg



Rope Capacity: 10m x 5 Diameter Steel Wire Rope
Gear Ratio: 3,8:1