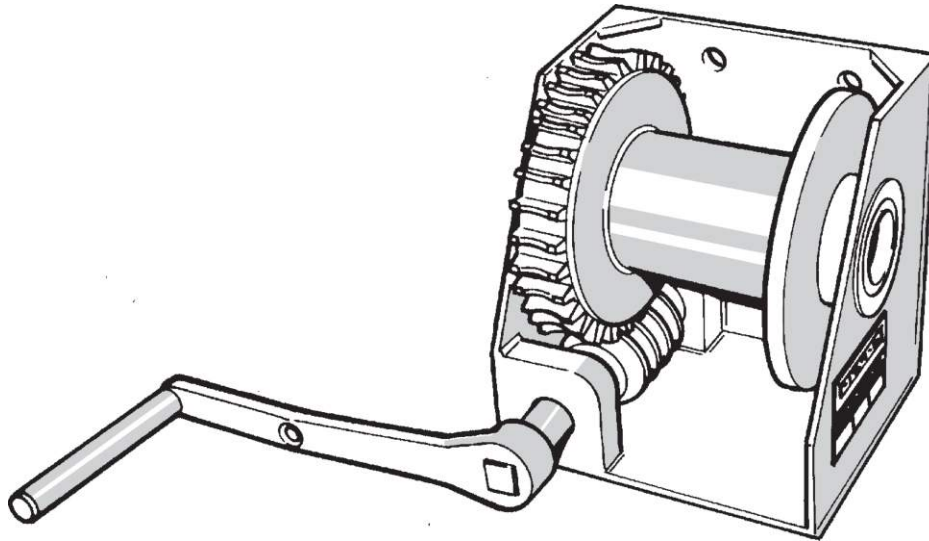


WORM WINCHES



GENERAL INFORMATION

Low cost utility winches for all winching operations.

Can be mounted in any position.

Advantages of worm winches are that no brakes or ratchets are required as the high ratio worms are self-sustaining in any position.

Generous bearing surfaces and easy lubrication make for long life.

USES

Unlimited uses in Mining, Transport, Farming or Fishing.

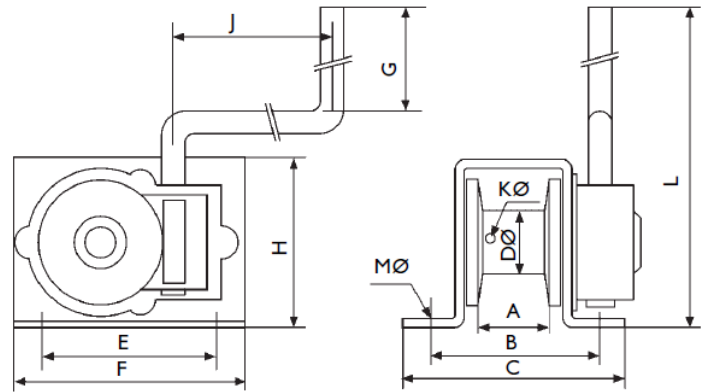
FEATURES

- 100% Safety
- Easy Lubrication
- No Brakes required

WORM WINCHES

200W

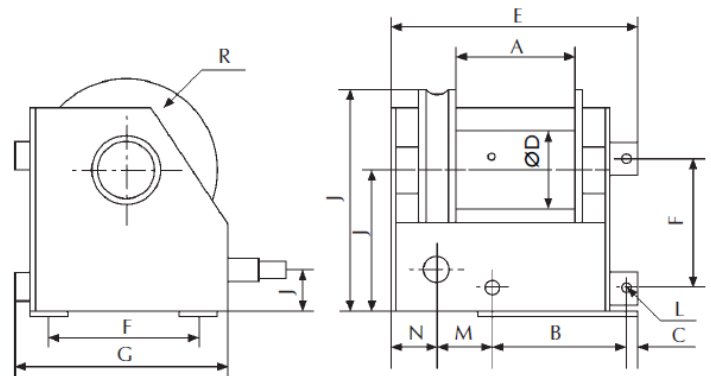
LABEL	SIZE
A	50
B	115
C	150
D	65
E	120
F	160
G	145
H	130
J	175
K	8
L	305
M	11



TYPE / MODEL	ITEM NR	WINCH GEAR RATIO	SWL TOP LAYER	ROPE Ø	DRUM CAPACITY	WORKING LENGTH
200W	1304	29	0.2 Ton	6 mm	6 m	6 m

1000W

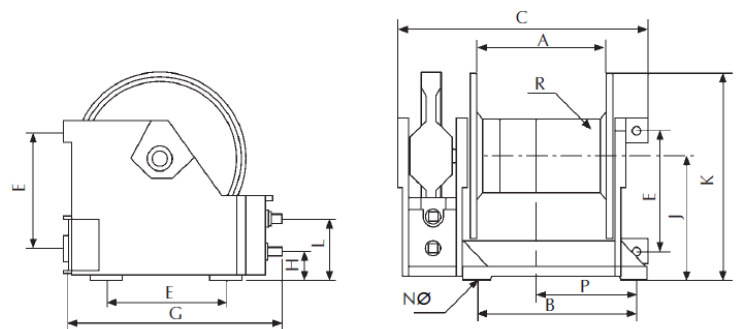
LABEL	SIZE
A	140
B	155
C	12
D	102
E	280
F	170
G	240
H	54.3
J	106
K	290
L	14
M	62.5
N	50.5



TYPE / MODEL	ITEM NR	WINCH GEAR RATIO	SWL TOP LAYER	ROPE Ø	DRUM CAPACITY	WORKING LENGTH
1000W	3718	32	1 Ton	8 mm	55 m	50 m

3000W

LABEL	SIZE
A	250
B	300
C	475
D	150
E	233
G	430
H	68
J	290
K	410
N	18
P	179
R	16



TYPE / MODEL	ITEM NR	WINCH GEAR RATIO	SWL TOP LAYER	ROPE Ø	DRUM CAPACITY	WORKING LENGTH
3000W	1743	50	3 Ton	16 mm	55 m	50 m