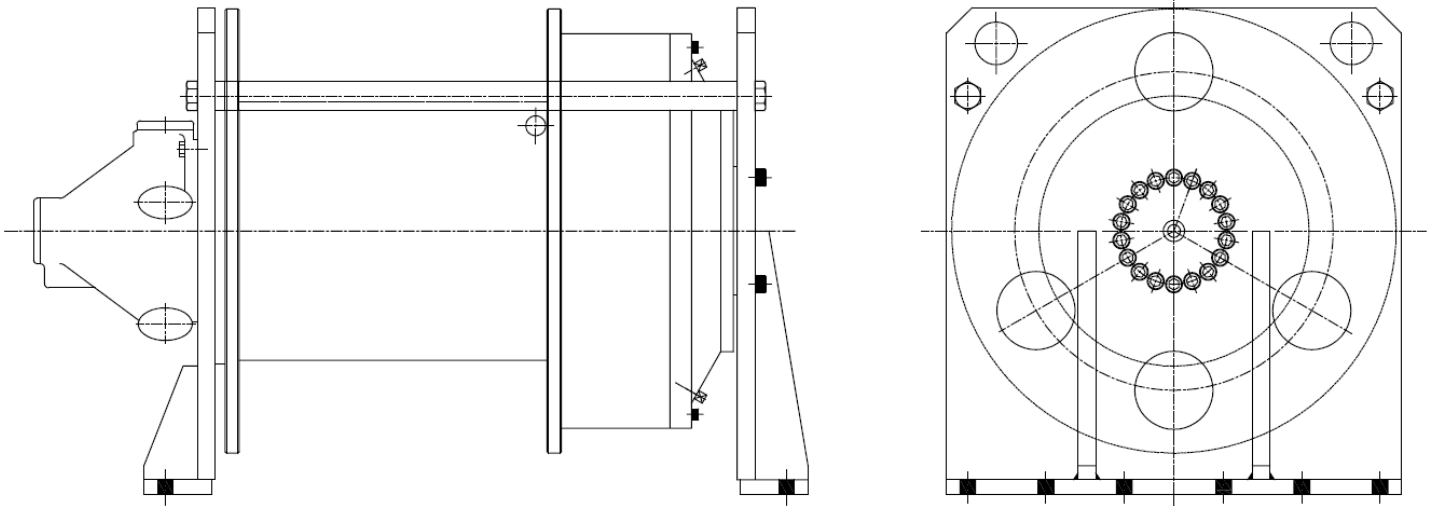


# HYDRAULIC WINCHES



## GENERAL INFORMATION

These constant torque winches can be used wherever hydraulic power is available and are ideally suited to mounting in light and heavy vehicles.

The speed can be infinitely varied by using a variable displacement power pack.

One of the main features of using hydraulic power is the efficient working overload protection.

The operating position is easily placed in or around the vehicles.

Winch mountings can be custom fabricated to meet your specific needs.

Custom built power packs can be supplied on request.

## USES

- All areas where power must be generated.
- All spheres of VEHICLE RECOVERY including military vehicles and armoured vehicles.
- Conveyor tensioning.
- Raising and lowering of goods or product in sample shafts.
- Erection on remote area sites.
- Trawling Winches.
- Mill Rotating Winches.

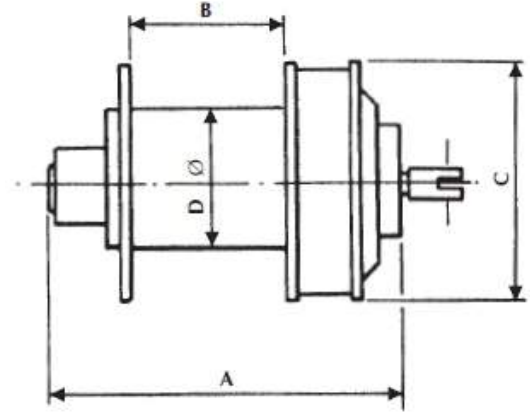
## FEATURES

- Greater versatility
- Safer operation
- More flexible installations

# HYDRAULIC WINCHES

## SPECIFICATIONS

Rope pull & speed calculated on first layer of rope.  
 Mountings custom made to suit individual requirements.  
 Automatic internal brake.



TYPE / MODEL	ITEM NR	TEST LOAD LAYER 1	SWL TOP LAYER	ROPE SPEED LAYER 1	ROPE Ø	DRUM CAPACITY m	WORKING LENGTH m	HYD PRESSURE MPa	HYD FLOW L/MIN	A mm	B mm	C mm	D mm
HE 15	1511	1 Ton	1 Ton	24 m/min	10	250	200	16	75	675	300	438	250
HE 45	4485	3 Ton	3 Ton	12 m/min	13	60	55	11	55	650	220	400	248
HE 100	4451	5.5 Ton	5 Ton	16 m/min	20	70	54	18	95	658	300	450	260
HE 200	1345	11 Ton	10 Ton	6.6 m/min	26	110	85	22	85	1092	433	625	364
HE 400	2181	22 Ton	20 Ton	4 & 16 m/min	32	130	100	19	160	1160	699	740	469

