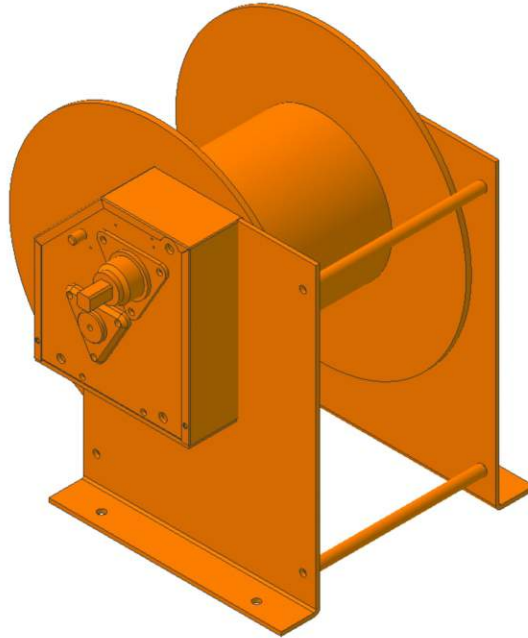


# PLUMBOB WINCHES



## GENERAL INFORMATION

Winch is fitted with a Dymot safety ratchet operated brake which automatically locks the drum to hold the load at all times. The load position can be adjusted up or down by simply winding the handle in the required direction. The load movement stops with the winding.

## USES

- Ideal for Plumbob lowering for shaft sinking position indication.
- Dymot also supplies Plumbob, stainless steel wire and sheaves.

## NOTE

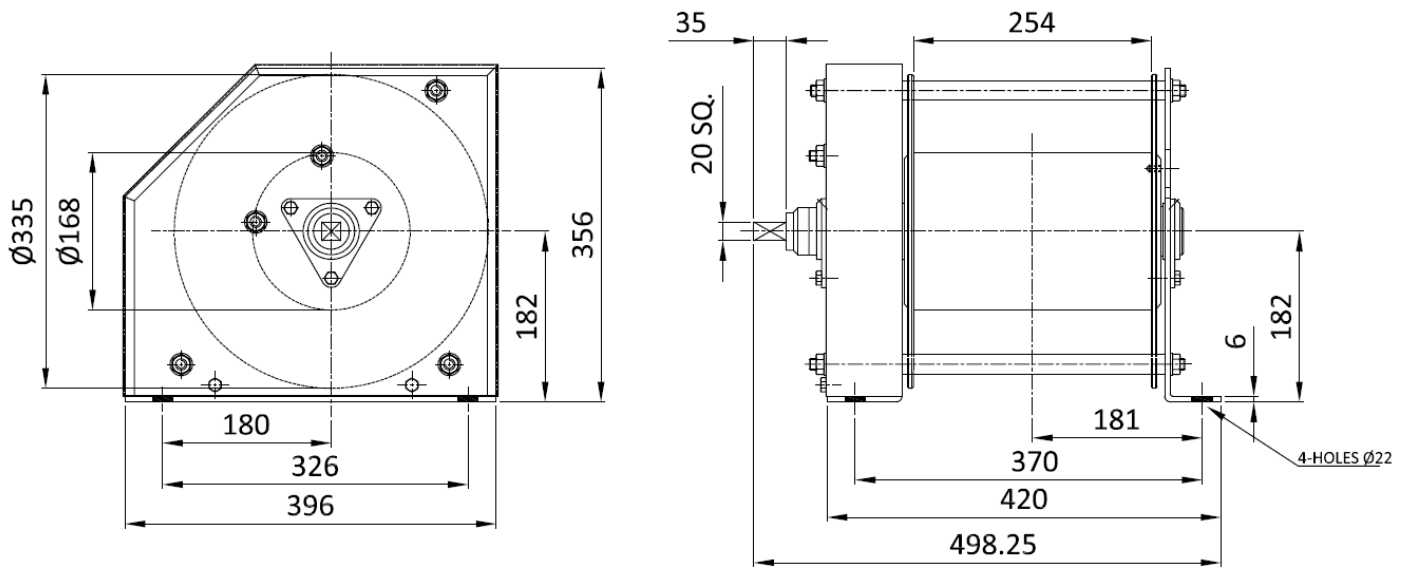
- Motorised option available



# PLUMBOB WINCHES

TYPE / MODEL	ITEM NR	GEAR RATIO	SWL TOP LAYER	WIRE ROPE Ø	DRUM CAPACITY	WORKING LENGTH
P1800	2807	.	40 KG	1.63 mm	1800 m	1800 m
P3000	3162	4.5	60 KG	1.63 mm	3000 m	3000 m

## P1800



## P3000

