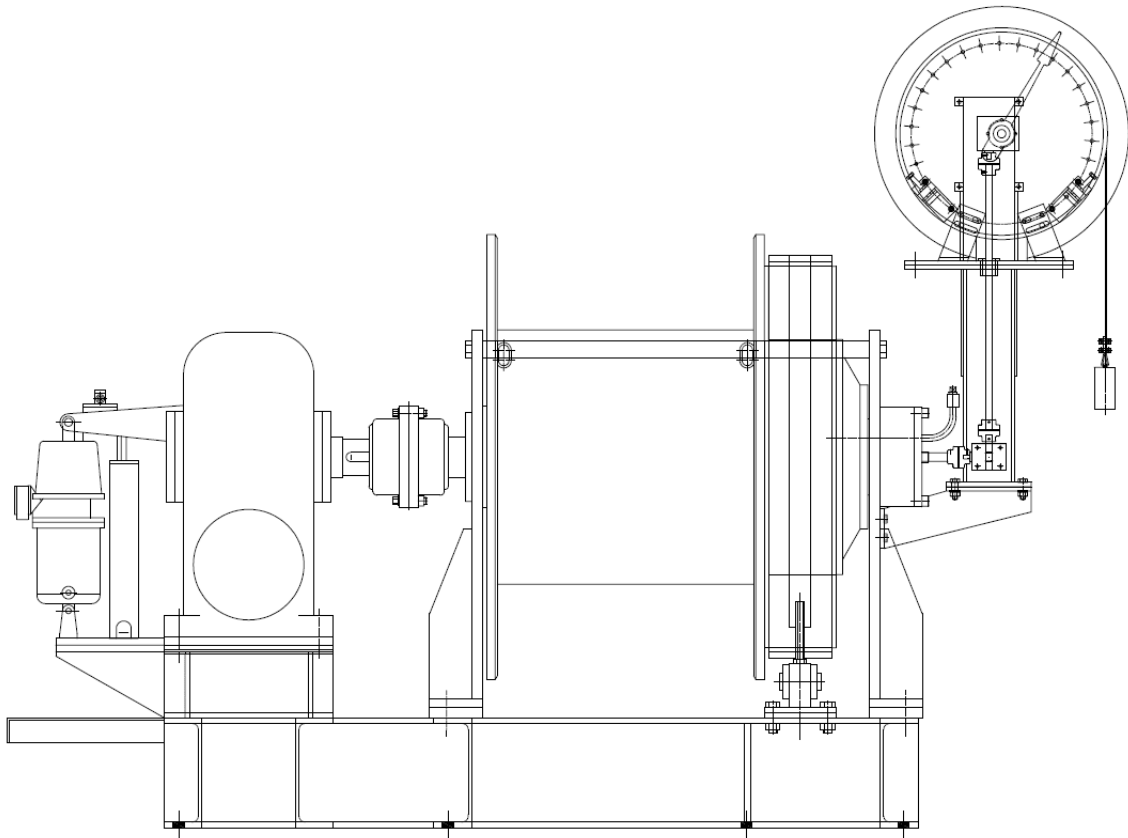


STAGE WINCHES



GENERAL INFORMATION

The DYMOT range of stage winches are based on our standard take-up winches and, as such, uses a drive train with a worm gear as the primary and an epicyclic type gear as the final drive.

The benefit of this drive train is its compactness and also the fact that high ratio worm type gears are not easily driven backwards by the load thus adding to the safety of the braking system. This in no way inhibits the reversibility of the winch.

The winches are fitted with dual brakes that function on the fail safe principal, one on the high speed side and the other on the low speed side. The low speed band brake doubles up as an emergency and parking brake. It is also fitted with a mechanical dial type position indicator and safety devices including an over speed device.

SPECIFICATIONS

TYPE / MODEL	ITEM NR	MOTOR	TEST LOAD LAYER 1	SWL TOP LAYER	ROPE SPEED LAYER 1	ROPE Ø	DRUM CAPACITY	WORKING LENGTH
11kW	4246	11kW - 4P	4.5 Ton	3 Ton	6.9 m/min	16 mm	500 m	350 m
22kW	4414	22kW - 4P	7 Ton	5 Ton	13.4 m/min	20 mm	500 m	350 m
37kW	4559	37kW - 4P	12 Ton	8 Ton	14 m/min	32 mm	700 m	500 m

NOTE: These are DYMOT standard products, specials available on request.