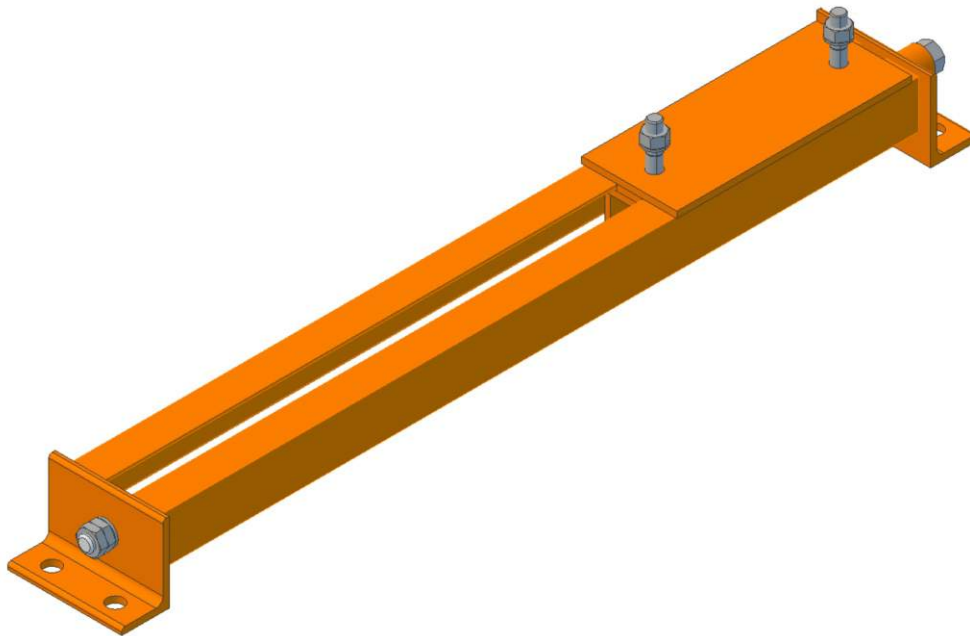


SCREW TAKE UPS



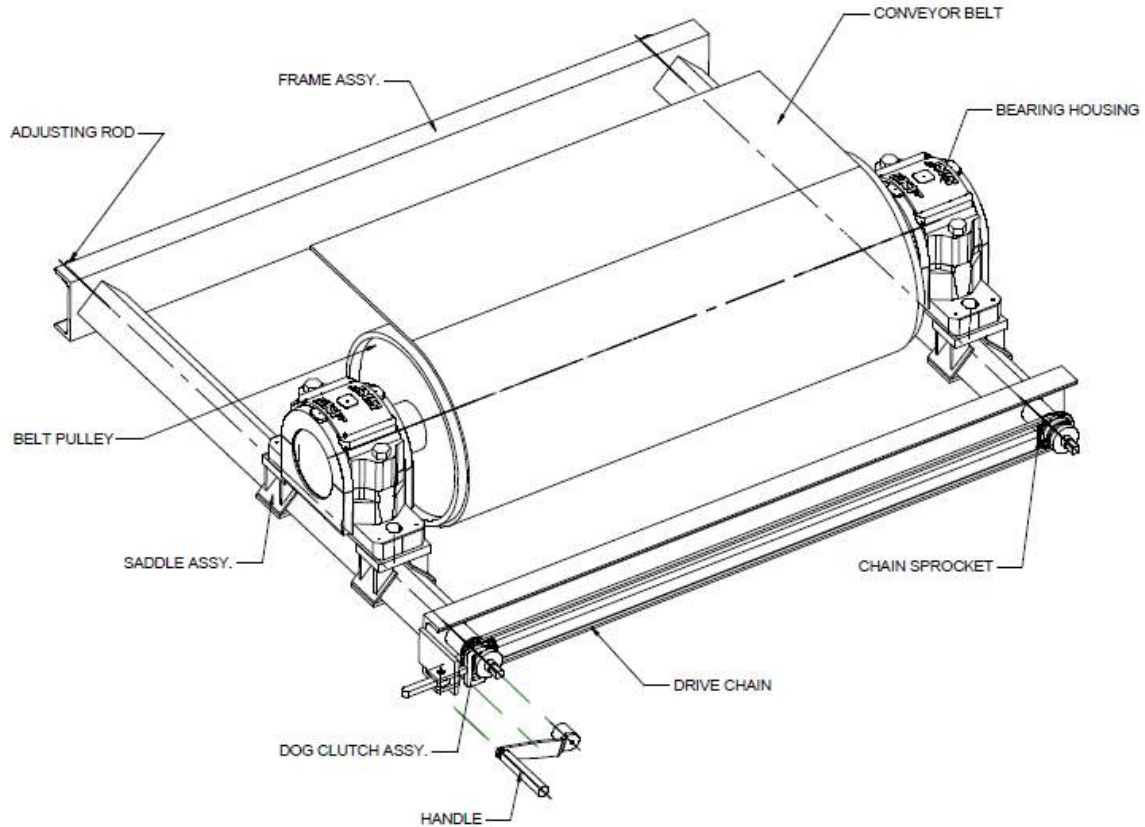
GENERAL INFORMATION

DYMOT offers basic Screw Take-Ups for shorter conveyor belts that does not require continuous tension/stretch adjustment. Sold in pairs and easily adjustable.

The following standard sizes available:

TAKE UP LENGTH (mm)	UP TO BEARING Ø 80 M 24 SCREW	BEARING Ø 85 TO Ø 115 M 30 SCREW	BEARING Ø 125 TO Ø 140 M 36 SCREW	BEARING Ø 150 TO Ø 200 M 42 SCREW
400	x	x	x	x
500	x	x	x	x
600	x	x	x	x
700	x	x	x	x
800	x	x	x	x
900	x	x	x	x
1000	x	x	x	x
1100	x	x	x	x
1200	x	x	x	x
1300	x	x	x	
1400	x	x	x	
1500	x	x	x	

DUAL SCREW TAKE UPS



GENERAL INFORMATION

The DYMOT range of SCREW TAKE UP now features a screw that is covered on the top so no material can fall onto the screw. A Dog Clutch mechanism is also available to take up the belt tension simultaneously avoiding the need to turn each screw independently. Engaging and Disengaging the Dog Clutch still enables you to turn each independently.

ADVANTAGES

- Level Wind for both Bronze Nuts.
- Covered Screws
- Replaceable Nuts can be fitted due to intelligent design.

COPY PAGE AND COMPLETE AND WE CAN QUOTE TO YOUR REQUIREMENTS

DESCRIPTION	VALUE
T1 TENSION (kN)	
T2 TENSION (kN)	
BEARING SIZE AND DIAMETER	
PULLEY DIAMETER (mm)	
BEARING CENTRES (mm)	
TAKE UP TRAVEL LENGTH REQUIRED (mm)	