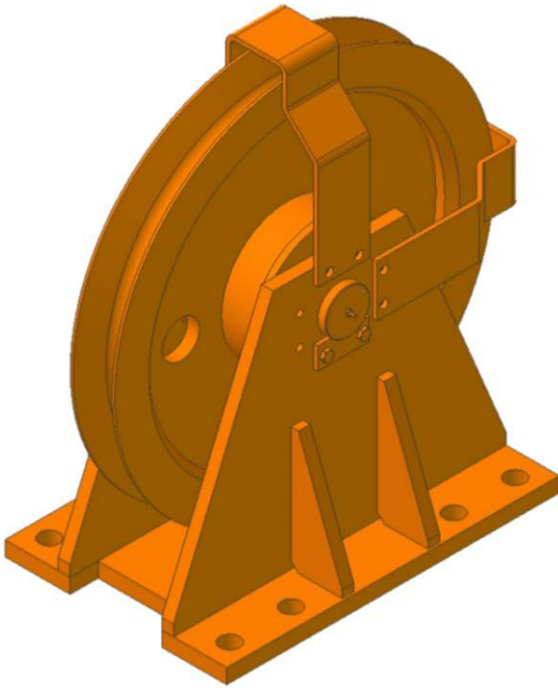
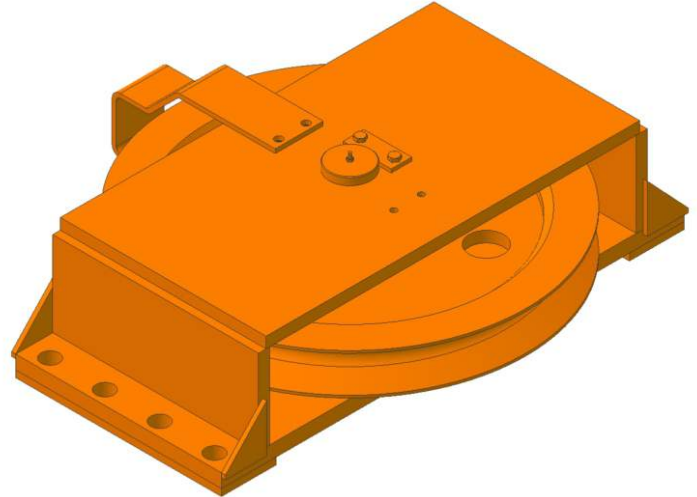


# SHEAVES



**VERTICAL SHEAVE AND BRACKET**



**HORIZONTAL SHEAVE AND BRACKET**

## GENERAL INFORMATION

Dymot sheaves are supplied, assembled in vertical or horizontal brackets with bearings as shown overleaf or with just shaft, keep plate and bearings.

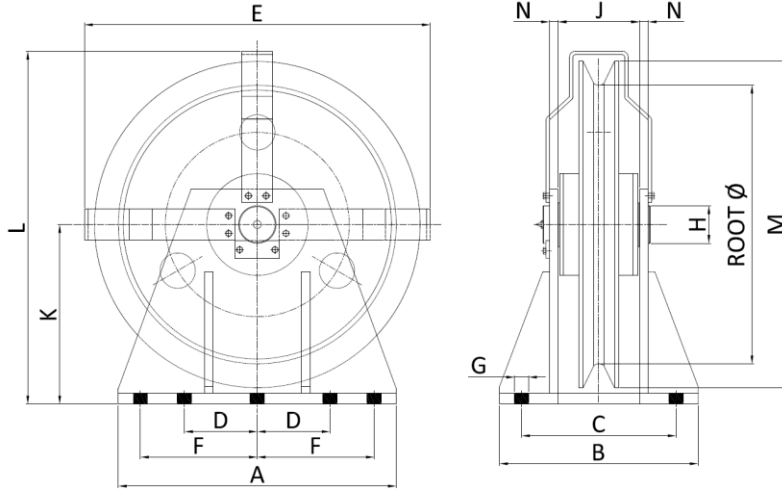
All sheaves are of welded steel construction.

## FEATURES

- Robust design for mounting in tension or in compression.
- High bending ratios for ropes.
- Accessible lubrication points.
- Various sizes for different ropes & loads.
- Sheaves are fabricated and fully machined.
- Custom built sheaves are also available.
- Rope keeps to prevent rope from climbing off Sheave groove.

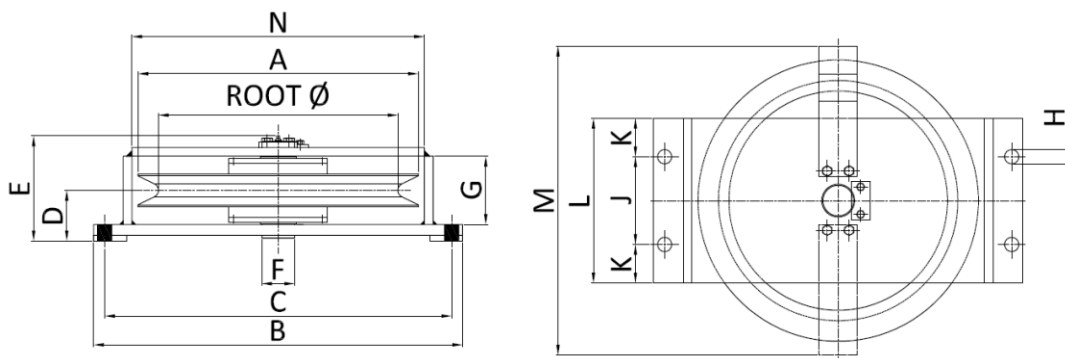
# SHEAVES

## VERTICAL SHEAVE AND BRACKET



ROPE Ø	ROOT Ø	A	B	C PITCH	D PITCH	E	F PITCH	G Ø	NR MTG HOLES	H Ø	J	K	L	M Ø	N	MASS KG
6	105	100	120	96	.	139	38	12	4	20	51	72	145	123	4	5
8	140	130	145	115	.	178	50	14	4	30	61	94	173	162	6	9
10	175	165	180	150	.	219	66.5	18	4	40	77	117	227	205	8	14
13	228	220	220	180	.	289	90	22	4	45	86	152	297	267	10	27
16	280	290	264	212	.	359	113	26	4	50	100	188	368	328	12	59
20	350	350	290	222	.	439	148	26	6	55	110	235	451	410	16	88
26	438	450	300	244	110	563	193	26	8	60	124	294	575	513	16	114
28	490	490	350	276	126	624	212	32	8	65	143	329	641	574	20	156
32	560	570	410	330	155	702	245	32	10	75	163	365	716	656	20	245
36	630	630	450	350	165	784	265	32	10	85	184	406	798	738	20	330
42	735	700	502	382	200	914	300	32	12	100	200	476	933	861	25	443

## HORIZONTAL SHEAVE AND BRACKET



ROPE Ø	ROOT Ø	A	B	C PITCH	D	E	F Ø	G	NR MTG HOLES	H Ø	J	K	L	M	N	MASS KG
6	105	123	210	180	37.5	67	20	51	4	12	50	15	80	139	130	4
8	140	162	256	226	44.5	81	30	61	4	14	70	15	100	178	172	9
10	175	205	305	275	54.5	101	40	77	4	18	90	20	130	219	215	15
13	228	267	395	355	63	116	45	86	4	22	100	25	150	289	280	25
16	280	328	472	432	74	136	50	100	4	26	150	25	200	359	340	44
20	350	410	560	520	85	156	55	110	6	26	100	30	250	439	430	80
26	438	513	675	635	92	170	60	124	8	26	80	55	300	563	535	130
28	490	574	764	700	112.5	204	65	143	8	32	80	55	350	624	594	198
32	560	656	860	796	122.5	224	75	163	10	32	85	55	450	702	690	267
36	630	738	958	888	133	245	85	184	10	32	100	50	500	784	763	396
42	735	861	1122	1033	150	275	100	200	12	32	92	45	550	914	892	538