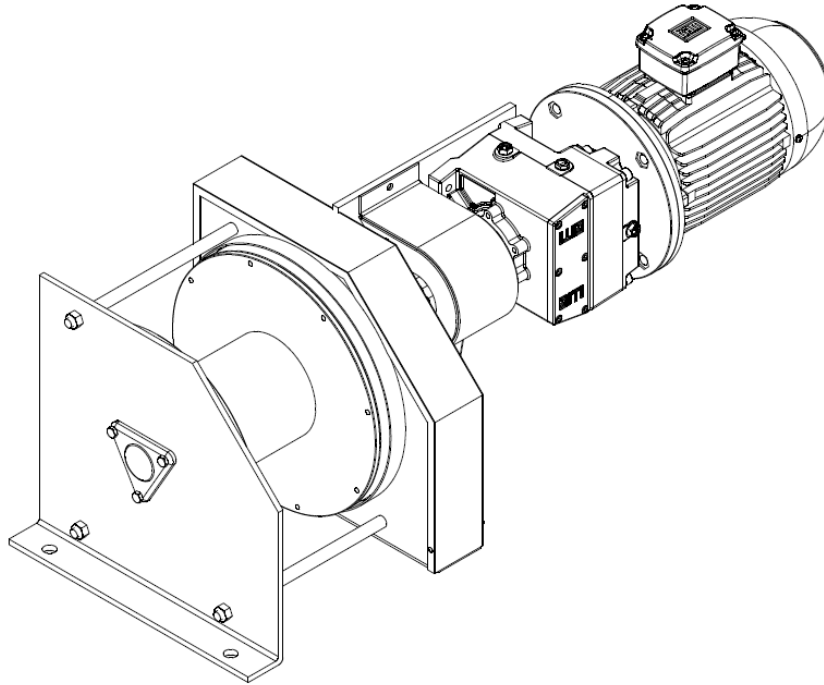


MOTORISED HAND WINCHES



GENERAL INFORMATION

The new DYMOT range of MOTORISED SAFETY WINCHES has been specially developed to eliminate the danger found on normal ratchet held loads in hand winches. The winches use an automatic clamping and ratchet type brake whereby the ratchets are never disengaged and the load is moved up or down simply by running the motor FWD/REV. A further improvement which has been achieved in the new design of some of the models is that the winch now features bearings on all shafts and gears. All lubrication points are external to the covers.

FEATURES

- Safety with power.
- Highest quality alloy steels used for all gears and shafts for rugged durability.
- Economically priced.
- High factors of safety.
- Low Power Requirements for Motor.

NOTES

- Rope must enter Winch as Shown by arrows.
- Safe Working Load Calculated on Full Drum.
- For Working Length Multiply Drum Full Rope Length by 0,7.
- Model No. Denotes Test Load

USES

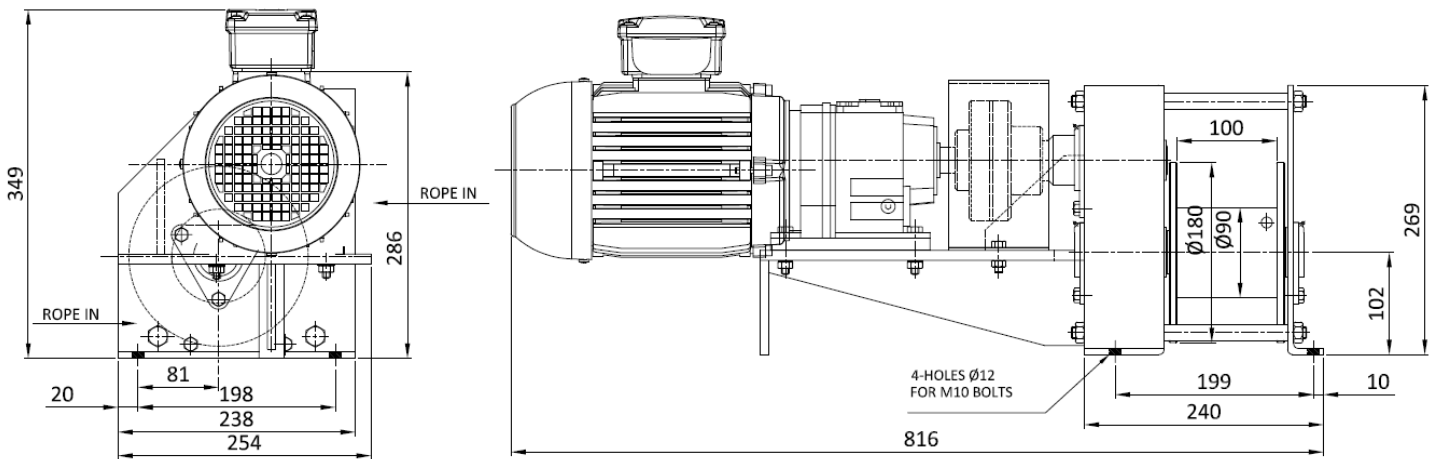
- All load raising and lowering operations in mines, industry and agriculture and especially suited to conveyor tensioning.

MOTORISED HAND WINCHES

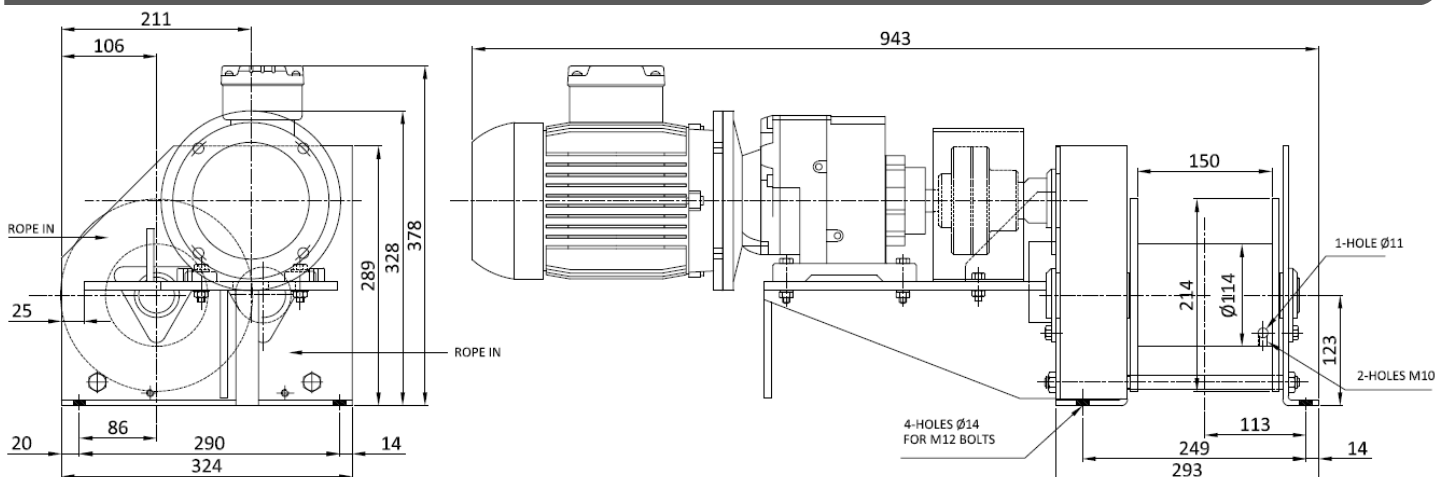
TYPE / MODEL	ITEM NR	MOTOR	WINCH GEAR RATIO	PRIMARY GEAR RATIO	TEST LOAD LAYER 1	SWL TOP LAYER	ROPE SPEED LAYER 1	ROPE Ø	DRUM CAPACITY	WORKING LENGTH	MASS
750S 2M	1606M	1.5kW - 4P	4.5	10.07	0.75 Ton	0.5 Ton	9.5 m/min	8 mm	24 m	18 m	65 kg
1500S 2M	4244	1.5kW - 4P	12.6	10.07	1.5 Ton	1.0 Ton	4.3 m/min	10 mm	35 m	26 m	90 kg
3000S 3M	4243	2.2kW - 4P	29.25	7.37	3.0 Ton	2.2 Ton	3.2 m/min	13 mm	75 m	54 m	135 kg
5000S 3M	4242	2.2kW - 4P	76.8	7.37	5.0 Ton	3.5 Ton	1.5 m/min	16 mm	63 m	45 m	167 kg
8000S 3M	4241	2.2kW - 4P	152	7.37	8.0 Ton	5.4 Ton	1.0 m/min	20 mm	94 m	66 m	298 kg
13000S 3M	4240	2.2kW - 4P	392	7.37	13.0 Ton	8.2 Ton	0.5 m/min	26 mm	103 m	73 m	452 kg
16000S 3M	4850	4.0kW - 4P	630.5	4.34	16.0 Ton	13.0 Ton	0.64 m/min	32 mm	210 m	150 m	700 kg

NOTE: Models 750S to 13000S utilises a Mechanical Ratchet Brake.
 Model 16000S utilises a braked motor fitted with an Electromagnetic Disc Brake.

750S 2M

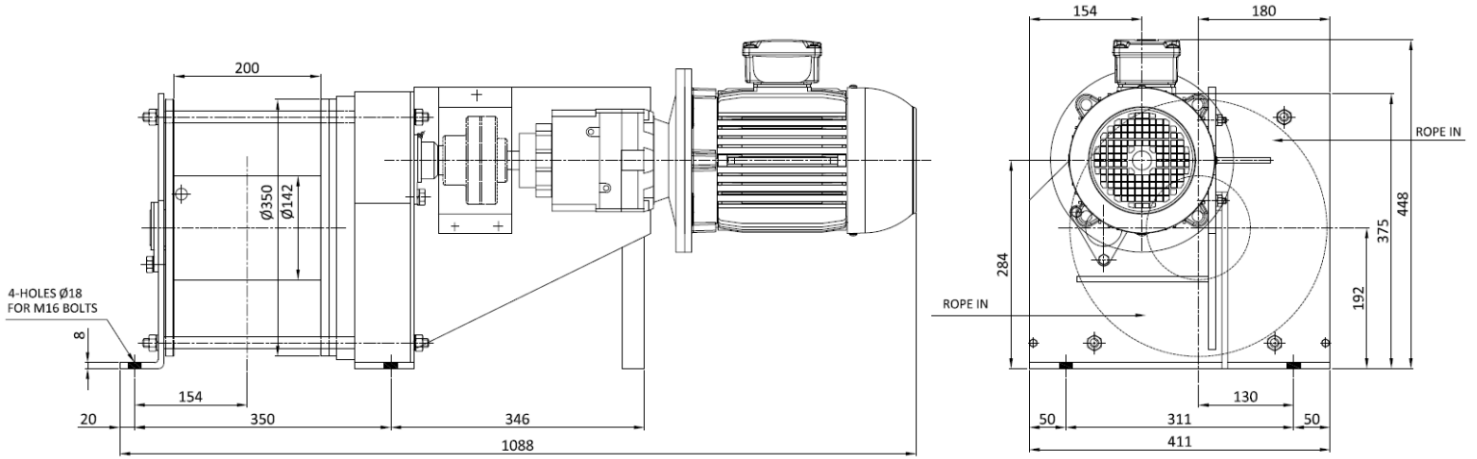


1500S 2M

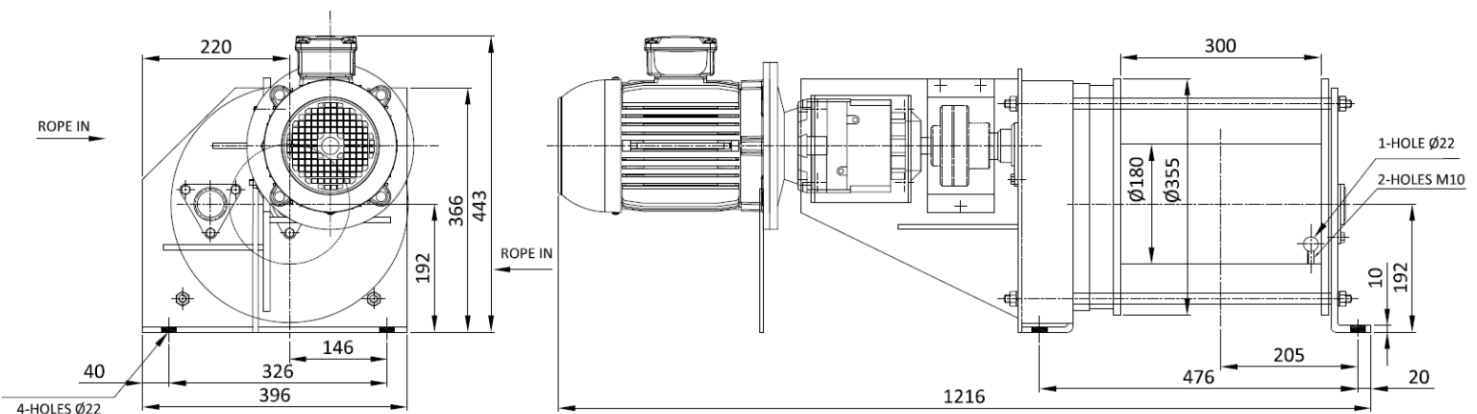


MOTORISED HAND WINCHES

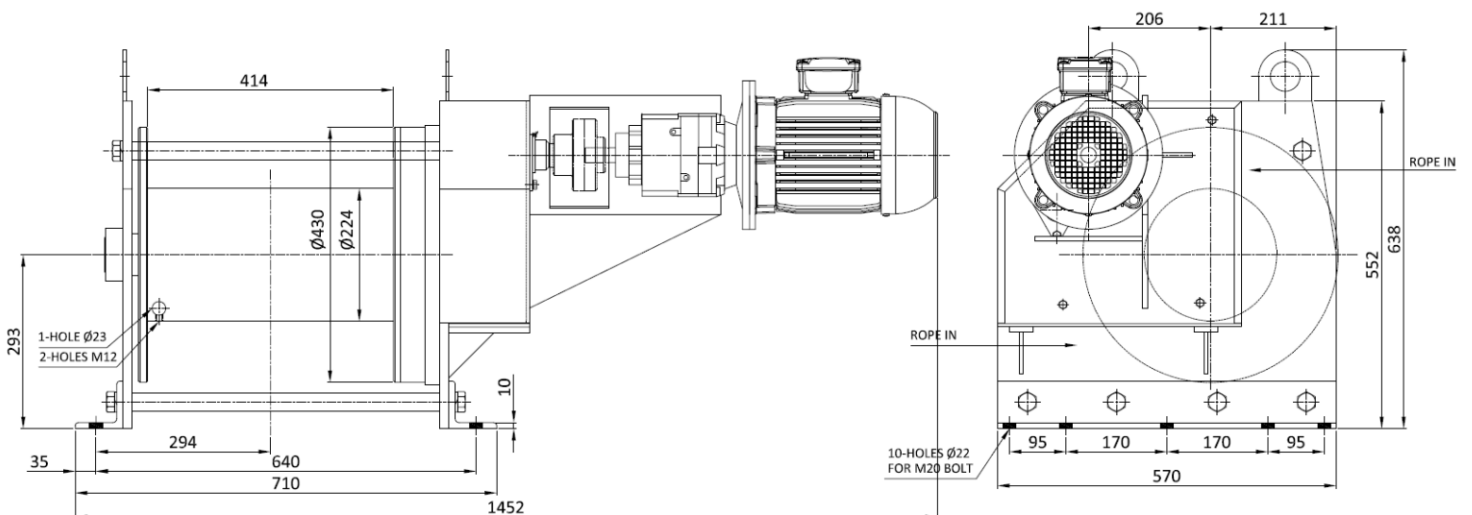
3000S 3M



5000S 3M

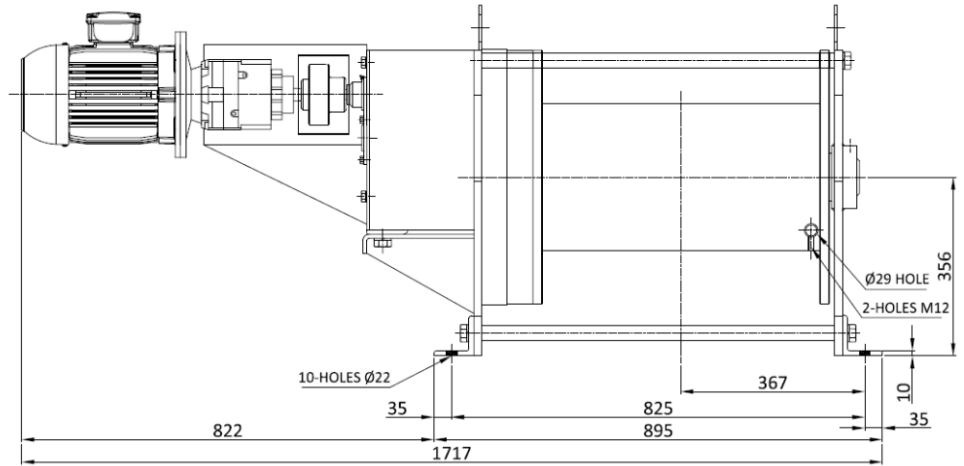
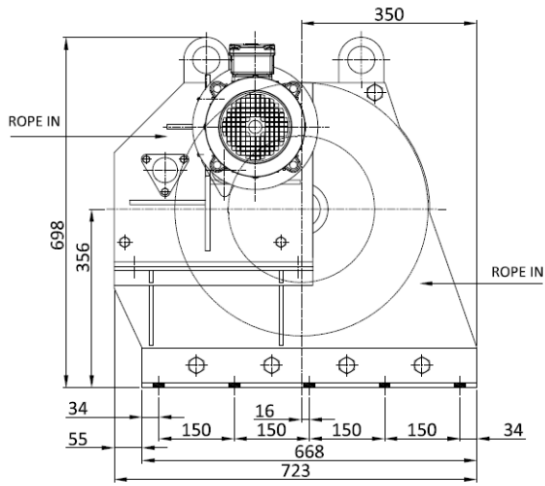


8000S 3M



MOTORISED HAND WINCHES

13000S 3M



16000S 3M

