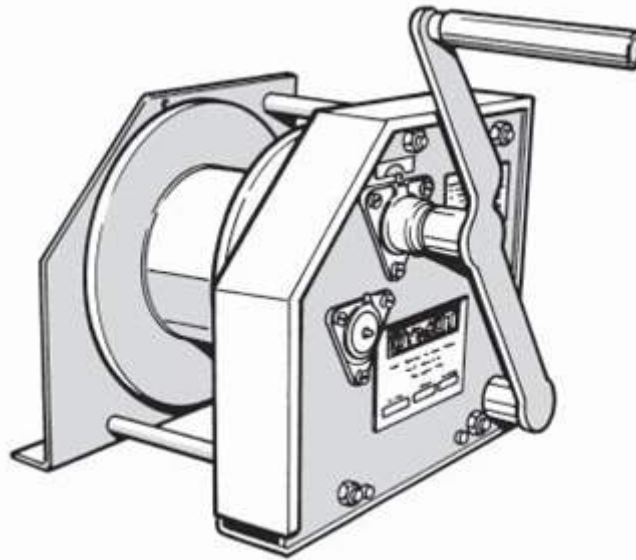


HAND WINCHES

750KG TO 3000KG MK2 SERIES



GENERAL INFORMATION

The new DYMOT range of SAFETY WINCHES has been specially developed to eliminate the danger found on normal ratchet held loads in hand winches. The principal danger being flying handles when the ratchet is disengaged to the lower load. This problem is overcome with the use of an automatic clamping and ratchet type brake whereby the ratchets are never disengaged and the load is moved up or down simply by winding the handle in the required direction.

A further improvement which has been achieved in the new design is that it is now possible to fit effective dust covers over the gears thereby reducing maintenance and increasing the life of the winches.

All lubrication points are external to the covers.

FEATURES

- Safety with power.
- Highest quality alloy steels used for all gears and shafts for rugged durability.
- These winches can be safely modified to accept power drives.
- Economically priced.
- High factors of safety.

NOTES

- Rope must enter Winch as Shown by arrows.
- Safe Working Load Calculated on Full Drum.
- For Working Length Multiply Drum Full Rope Length by 0,7.
- Model No. Denotes Test Load

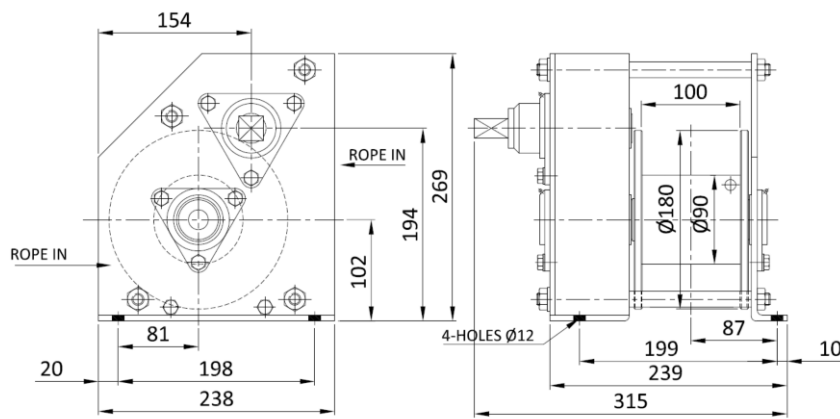
USES

- All load raising and lowering operations in mines, industry and agriculture and especially suited to conveyor tensioning.

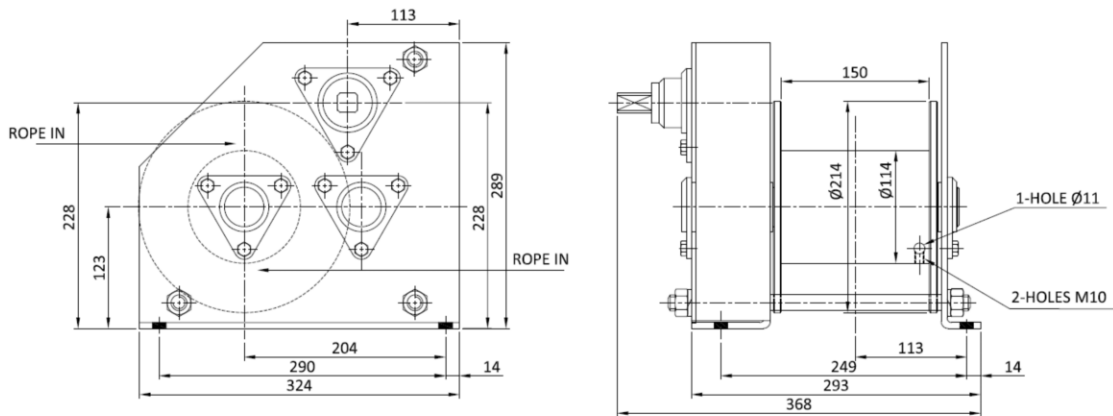
HAND WINCHES

TYPE / MODEL	ITEM NR	GEAR RATIO	TEST LOAD LAYER 1	SWL TOP LAYER	ROPE Ø	DRUM CAPACITY	WORKING LENGTH	HANDLE RADIUS	MASS
750S MK2	1606	4.5	0.75 Ton	0.5 Ton	8 mm	24 m	18 m	443 max 228 min	26 kg
1500S MK2	4073	12.6	1.5 Ton	1.0 Ton	10 mm	35 m	26 m	443 max 228 min	42 kg
3000S MK2	4080	29.25	3.0 Ton	2.2 Ton	13 mm	75 m	54 m	443 max 228 min	80 kg

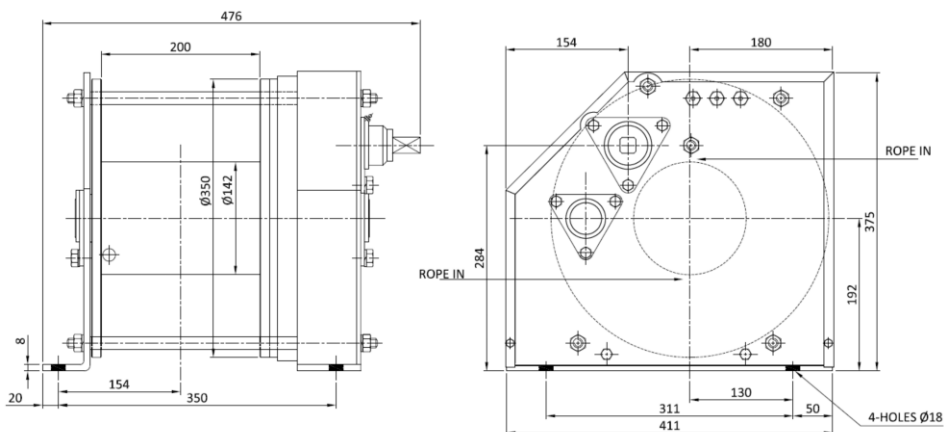
750S MK2



1500S MK2

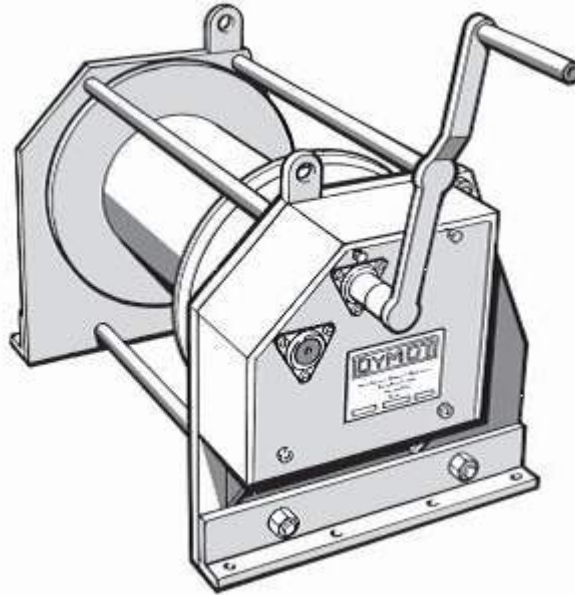


3000S MK2



HEAVY DUTY HAND WINCHES

5000KG TO 13000KG MK2 SERIES



GENERAL INFORMATION

The new DYMOT range of HEAVY LOAD SAFETY WINCHES has been specially developed to eliminate the danger found on normal ratchet held loads in hand winches. The principal danger being flying handles when the ratchet is disengaged to the lower load. This problem is overcome with the use of an automatic clamping and ratchet type brake whereby the ratchets are never disengaged and the load is moved up or down simply by winding the handle in the required direction. A further improvement which has been achieved in the new design is that it is now possible to fit effective dust covers over the gears thereby reducing maintenance and increasing the life of the winches. All lubrication points are external to the covers.

FEATURES

- Safety with power.
- Highest quality alloy steels used for all gears and shafts for rugged durability.
- These winches can be safely modified to accept power drives.
- Economically priced.
- High factors of safety.

NOTES

- Rope must enter Winch as Shown by arrows.
- Safe Working Load Calculated on Full Drum.
- For Working Length Multiply Drum Full Rope Length by 0,7.
- Model No. Denotes Test Load

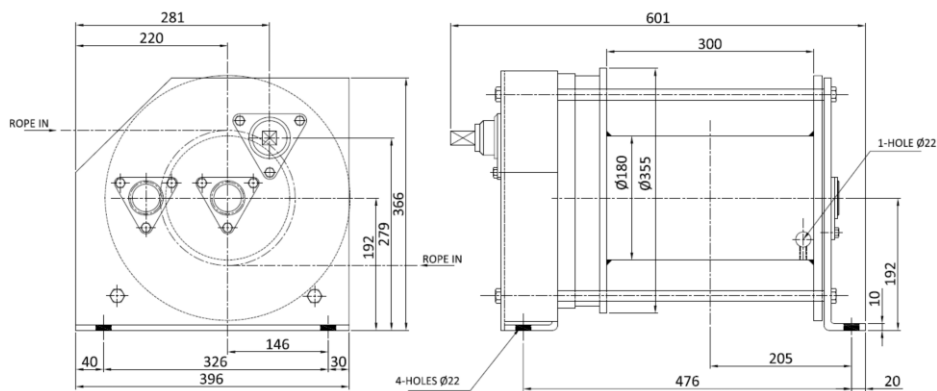
USES

- All load raising and lowering operations in mines, industry and agriculture and especially suited to conveyor tensioning.

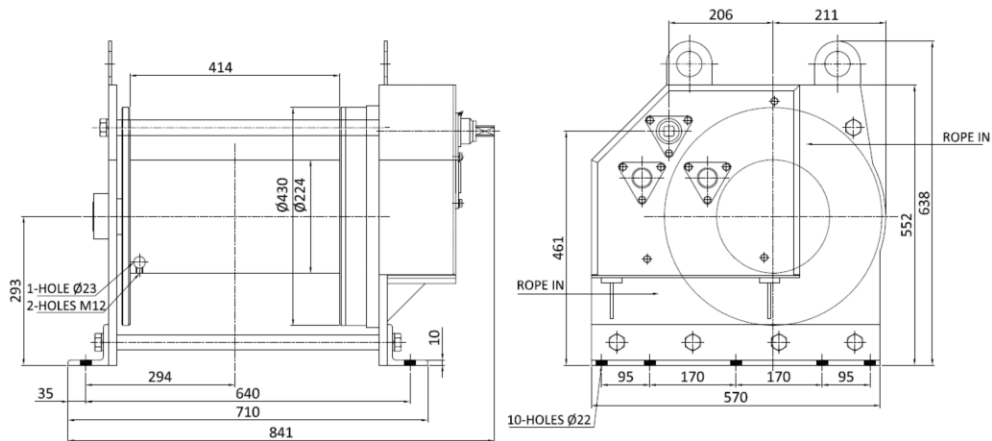
HEAVY DUTY HAND WINCHES

TYPE / MODEL	ITEM NR	GEAR RATIO	TEST LOAD LAYER 1	SWL TOP LAYER	ROPE Ø	DRUM CAPACITY	WORKING LENGTH	HANDLE RADIUS	MASS
5000S MK2	4099A	76.8	5.0 Ton	3.5 Ton	16 mm	63 m	45 m	443 max 228 min	112 kg
8000S MK2	4101	152	8.0 Ton	5.4 Ton	20 mm	94 m	66 m	443 max 228 min	243 kg
13000S MK2	4100A	392	13.0 Ton	8.2 Ton	26 mm	103 m	73 m	443 max 228 min	397 kg

5000S MK2



8000S MK2



13000S MK2

