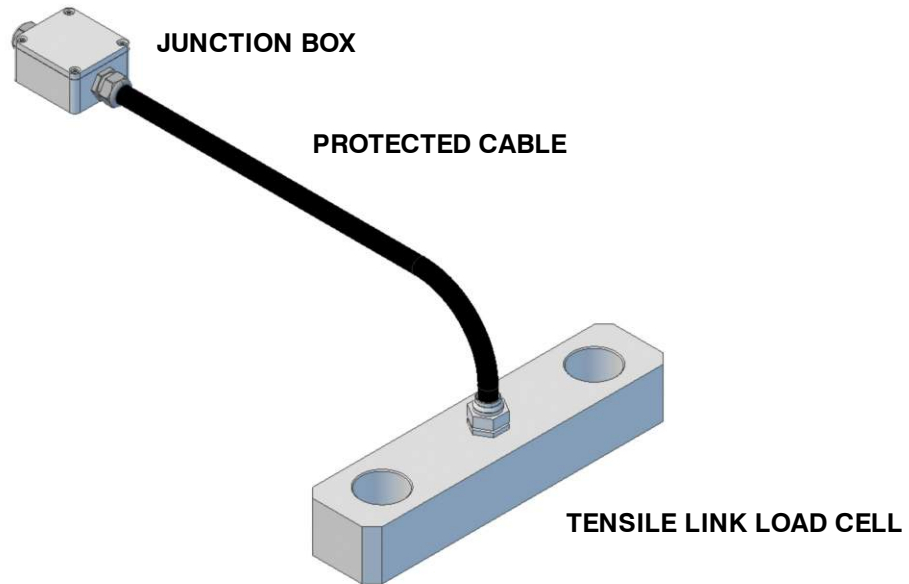


# LOADCELL - FOUR WIRE TENSILE LINK



## GENERAL INFORMATION

The TLE is a Tensile Link Load cell used in tensile force measurement applications.

The TLE is manufactured using a heat treated alloy steel or Stainless Steel, making it cost effective.

The TLE is widely used in mining as well as load testing applications, namely, in line force measurement, conveyor belt tension, crane weighing and weighing of suspended loads.

Capacities range from 5 to 100 ton.

## FEATURES

- 4-20 mA Output Load Cell.
- Simple, rugged and reliable.
- Supplied with Test & Calibration Certificate - 4 to 20 mA output signals.

## APPLICATIONS

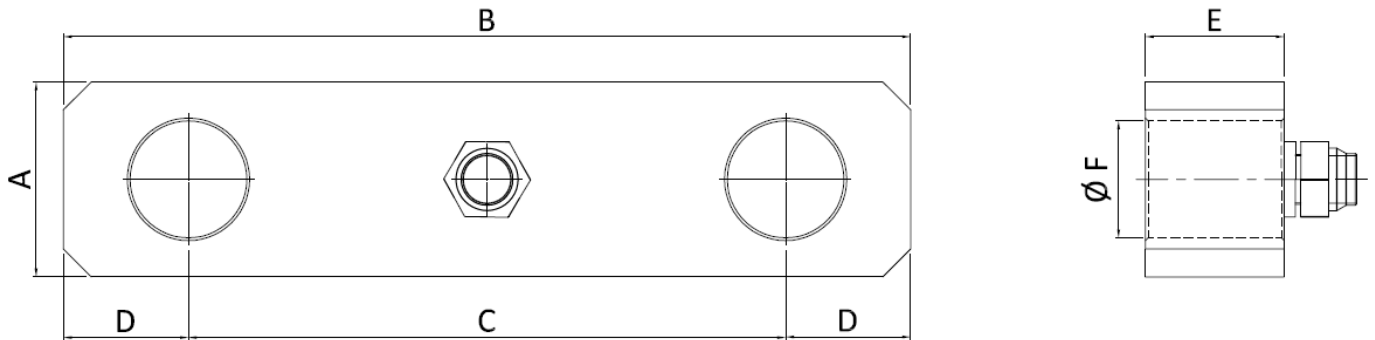
- In Line Force Measurement
- Conveyor Belt Tensioning
- Crane Weighing
- Instrumentation

# LOAD CELL - FOUR WIRE TENSILE LINK

## SPECIFICATION

DESCRIPTION	VALUE
SUPPLY VOLTAGE RANGE	5 to 24 VDC
INPUT RESISTANCE	350 $\Omega$
RATED OUTPUT	1.5mV/V
COMBINED ERROR: LINEARITY & HYSTERESIS	0.1% RO

## DIMENSIONS (ALL IN mm)



TYPE	ITEM NR	A	B	C	D	E	Ø F
5T	4942-5T	50	215	165	25	35	26
10T	4942-10T	70	285	215	35	50	37
15T	4942-15T	70	305	215	45	50	42
20T	4942-20T	100	375	275	50	72	52
30T	4942-30T	100	375	275	50	72	52
50T	4942-50T	150	525	375	75	104	74
100T	4942-100T	200	800	500	150	133	95

## CONNECTIONS

DESCRIPTION	COLOUR
+ EXCITATION 24 VDC	BLUE
- GROUND NEGATIVE	YELLOW
+ POSITIVE OUTPUT (mA)	RED
- NEGATIVE OUTPUT (mA)	GREEN