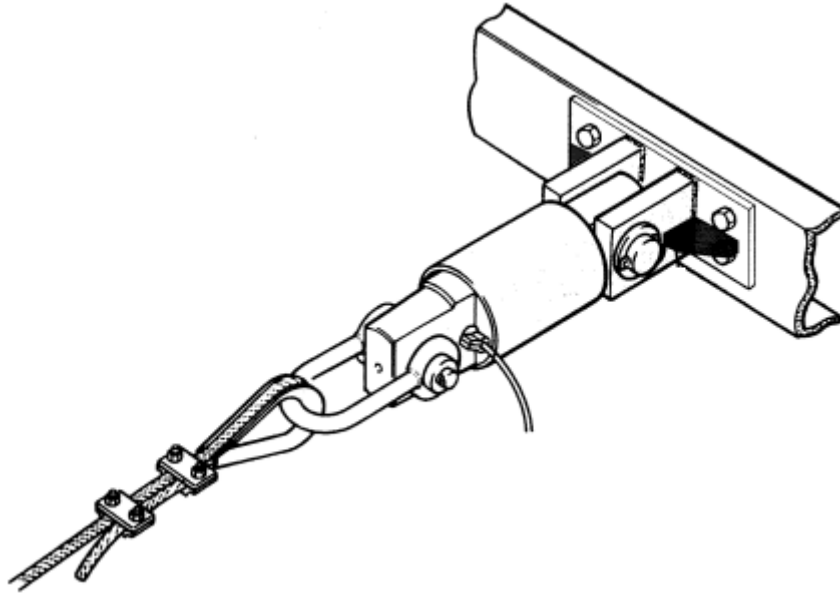


LOADCELL - TWO WIRE LOOP POWERED



GENERAL INFORMATION

The Load Cell is rugged and ideal for conveyor tension control in underground environments. The Load Cell is strain gauge based and incorporates a microvolt-to-milliamp convertor. The Load Cell has only two connection wires (plus a screen). Apply 12 to 30 VDC to the +ve terminal and measure the current that flows out of the -ve terminal. Spare loop voltage permits external loop-powered tension displays. Transient protection is included. Three models are currently available.

FEATURES

- The true Two-Wire Loop Powered 4-20 mA Load Cell.
- Optional I.S. Certification.
- No interface required for Load Cell.
- Transient/RFI integral protection.
- Simple, rugged and reliable.

Supplied with Test & Calibration Certificate. 4 to 20 mA output signals. Safety factor on ultimate breaking strain > 6.

APPLICATIONS

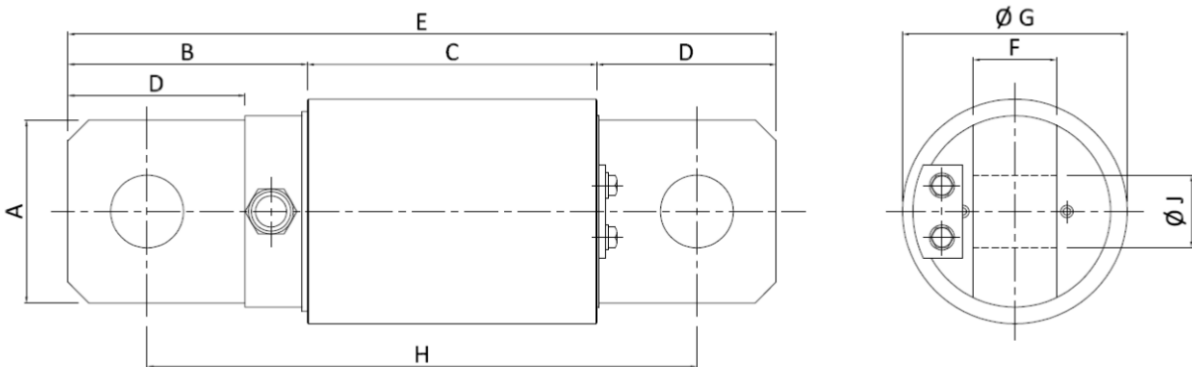
- Remote measurement.
- Portable equipment.
- PLC Systems.
- Instrumentation.

LOAD CELL - TWO WIRE LOOP POWERED

SPECIFICATION

DESCRIPTION	VALUE
SUPPLY VOLTAGE RANGE	12 to 36 VDC
MAX LOAD RESISTANCE @ 24 VDC	500 Ω
START UP CURRENT	> 25mA
ACCURACY	5% of Full Load
TENSION RATING @ 4 TO 20 mA	
TCLT 40	0 TO 40 kN
TCLT 80	20 TO 80 kN
TCLT 160	40 TO 160 kN

DIMENSIONS (ALL IN mm)



TYPE / MODEL	ITEM NR	A	B	C	D	E	F	ϕG	H	ϕJ
TCLT 40	2427	74	115	140	85	340	40	92	260	35
TCLT 80	2427	74	115	140	85	340	40	92	260	35
TCLT 160	2495	98	119	150	101	370	50	120	270	45

TYPICAL WIRING DIAGRAM

